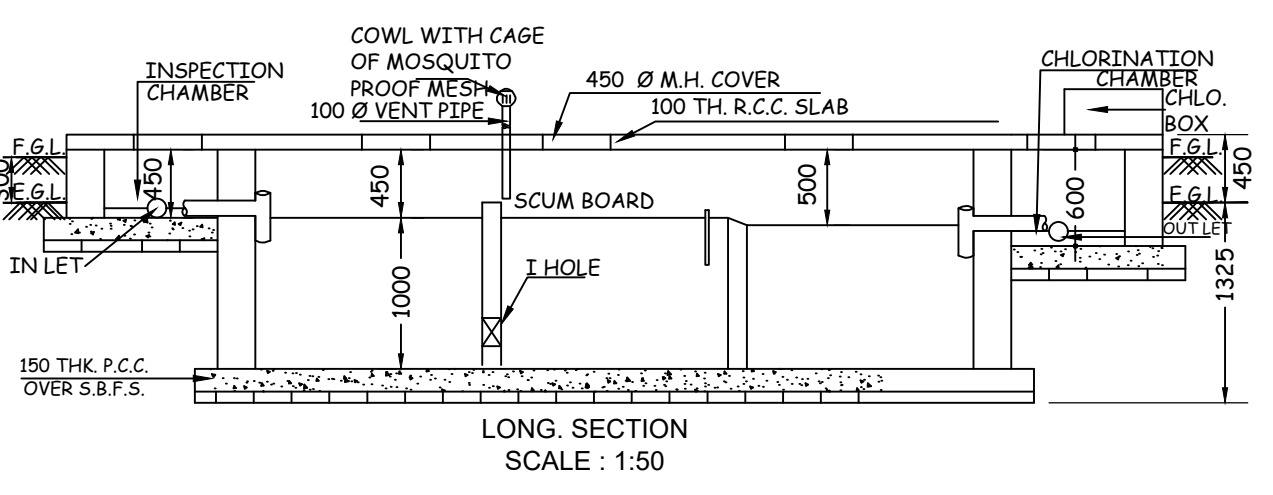
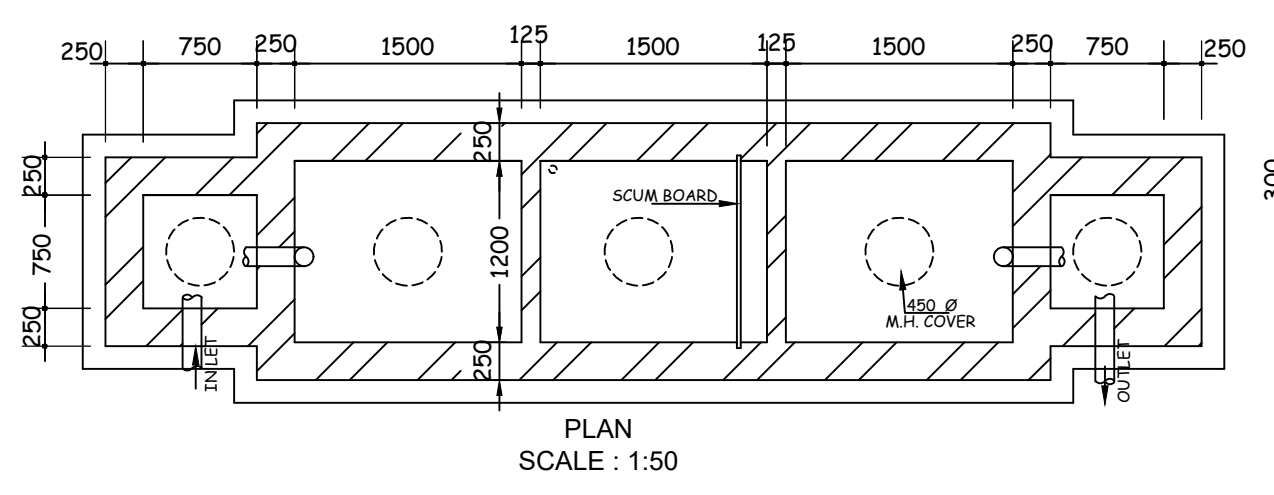
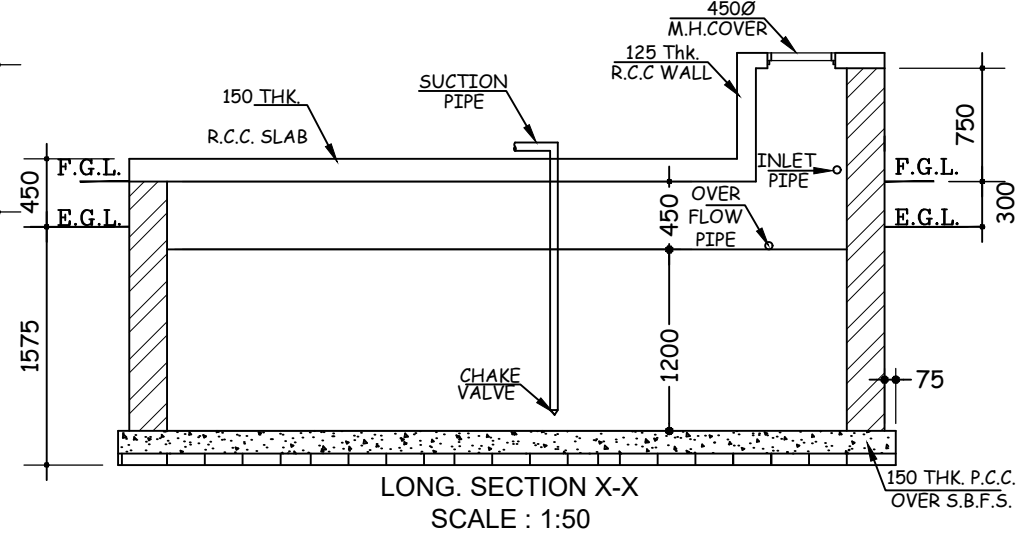
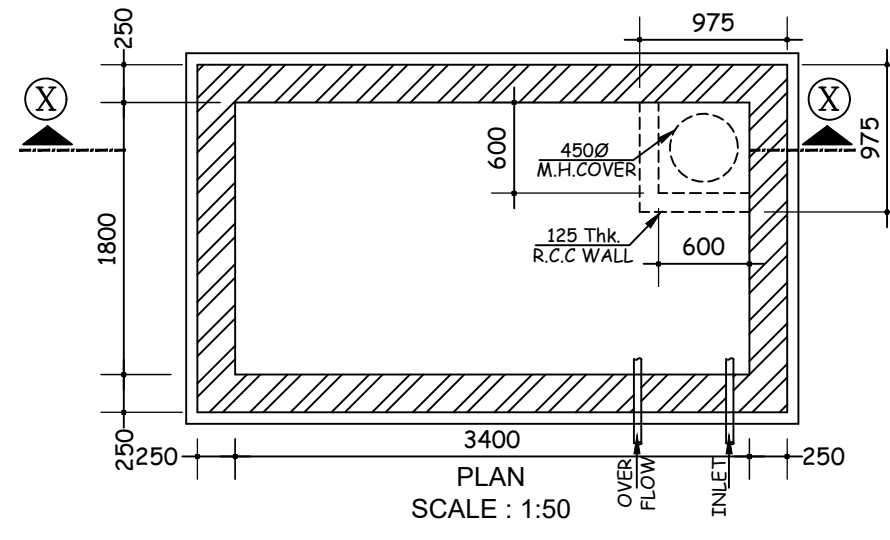


MAIN CHARACTERISTICS OF THE PROPOSAL	
1. ASSESSEE NO: 31-109-08-2220-6	4. DETAILS OF REGD. POWER OF ATTORNEY: BK-1, VOL.-1603-2021, BEING NO =160308731 PG.241307-241325, YEAR=2021, REGD. AT-D.S.R.-III, 24 Pgs(S), DATED -29/09/2021.
2. NAME OF THE OWNER: APARNA BISWAS	5. DETAILS OF BOUNDARY DECLARATION: BK-1, VOL.-1603-2021, BEING NO =160308882, PG.241295-241306, YEAR=2021, REGD. AT-D.S.R.-III, 24 Pgs(S), DATED -29/09/2021.
3. NAME OF THE APPLICANT: M/S TARUNEMA CONSTRUCTION REPRESENTED BY NEMAI DUTTA CONSTITUTED ATTORNEY OF APARNA BISWAS	6. KMC MUTATION CASE NO: P/109/15-FEB-21/2321 DL-19/02/2021
4. DETAILS OF REGD. DEED OF PARTITION: BK-1, VOL.-1904-2020, BEING NO =190401623, PG.95786 - 95816, YEAR=2020, REGD. AT - A.R.A. -IV, (KOLKATA), DATED -23/02/2020.	7. BL&RO MUTATION MEMO NO: BK=1, VOL.-1904-2020, BEING NO =1904/15 R.S.L. No. 81/16, YEAR=2020, REGD. AT - A.R.A. -IV, (KOLKATA), DATED -23/02/2020.
	8. BL&RO CONVERSION CASE NO: 6/P/273/S/D/L&R/O, SADR ALIPORE, DI-09/03/2017.



DETAIL OF SEPTIC TANK
CAPACITY - 75 USER



DETAIL OF SEMI UNDER GROUND WATER RESERVOIR
CAPACITY - 800 GAL (3600 LTRS OR 3.6 CUM.)

PART - B	
1. AREA OF LAND AS PER TITLE DEED & ASSESSMENT BOOK - (07 KH-00 CH - 00 SQFT) = 468.224 SQM.	2. NET AREA OF LAND - 468.224 SQM.
3. PERMISSIBLE GROUND COVERAGE AS PER BOUNDARY DECLARATION - 468.224 SQM.	4. PROPOSED GROUND COVERAGE - 239.025 SQM (51.049 %)

5. PROPOSED AREA						
FLOOR	FLOOR AREA	LIFT WELL	FLOOR AREA AFTER LIFT WELL DESTINATION	TOTAL EXEMPTED AREA	NET FLOOR AREA	
GR. FL.	212.500 SqM.	NIL	212.500 SqM.	13.500 SqM.	2.430 SqM.	196.570 SqM.
1st. FL.	239.025 SqM.	1,800 SqM.	237.225 SqM.	13.500 SqM.	2.261 SqM.	221.464 SqM.
2nd. FL.	239.025 SqM.	1,800 SqM.	237.225 SqM.	13.500 SqM.	2.261 SqM.	221.464 SqM.
3rd. FL.	239.025 SqM.	1,800 SqM.	237.225 SqM.	13.500 SqM.	2.261 SqM.	221.464 SqM.
4th. FL.	239.025 SqM.	1,800 SqM.	237.225 SqM.	13.500 SqM.	2.261 SqM.	221.464 SqM.
TOTAL	1168.600 SqM.	7,200 SqM.	1161.400 SqM.	67.500 SqM.	11.174 SqM.	1082.426 SqM.

6. PARKING CALCULATION					
FLAT MKD & NOS.	TENEMENT AREA INCLUDING COMMON AREAS	COMMON AREA	TENEMENT AREA EXCLUDING COMMON AREAS	TENEMENT NOS.	REQUIRED PARKING
1st. FL. A	67.358 SqM.	7.851 SqM.	75.209 SqM.		
B	82.665 SqM.	9.635 SqM.	92.300 SqM.		
C	70.473 SqM.	8.214 SqM.	78.687 SqM.		
2nd FL. A	79.190 SqM.	9.230 SqM.	88.420 SqM.		
B	141.306 SqM.	16.470 SqM.	157.776 SqM.		
3rd. FL. A	67.358 SqM.	7.851 SqM.	75.209 SqM.		
B	82.665 SqM.	9.635 SqM.	92.300 SqM.		
C	70.473 SqM.	8.214 SqM.	78.687 SqM.		
4th. FL. A	67.358 SqM.	7.851 SqM.	75.209 SqM.		
B	82.665 SqM.	9.635 SqM.	92.300 SqM.		
C	70.473 SqM.	8.214 SqM.	78.687 SqM.		
TOTAL	1168.600 SqM.	136.170 SqM.	1161.400 SqM.	67.500	11.174

B. PERMISSIBLE AREA FOR PARKING - 150 SQM. (COVERED - 6 + OPEN - NIL)
 C. NOS. OF PARKING PROVIDED - 6 (SIX) NOS.
 D. ACTUAL AREA OF PARKING PROVIDED - 176.616 SQM.
 7. PERMISSIBLE F.A.R. = 2.25
 8. PROPOSED F.A.R. = (1082.426 - 150) / 468.224 = 1.991
 9. STATEMENT OF OTHER AREAS FOR FEES

	G.F.	1st. F.L.	2nd. F.L.	2nd. F.L.	2nd. F.L.	TOTAL
LOFT	NIL	NIL	NIL	NIL	NIL	NIL
CUPBOARD	NIL	3.15 SqM.	3.15 SqM.	3.15 SqM.	3.15 SqM.	12.60 SqM.
LEDGE / TEND	NIL	NIL	4.863 SqM.	NIL	NIL	4.863 SqM.
						17.463 SqM.

- LIFT LOBBY = 11.474 SqM.
- STAIR WAY + STAIR LOBBY = 67.500 SqM.
- AREA OF OVER HEAD WATER TANK = 12.960 SqM.
- STAIR HEAD ROOM AREA = 16.740 SqM.
- LIFT M/C ROOM AREA = 16.818 SqM.
- L.M.R. STAIR = 5.130 SqM.
- AREA OF ROOF TOILET = 2.900 SqM.
- TREE COVER AREA = 3.500 SqM.
- TOTAL ADDITIONAL AREA FOR FEES = 59.051 SqM.

DOOR SCHEDULE			WINDOW SCHEDULE		
TYPE	SIZE (BxH)	REMARKS	TYPE	SIZE (HxB)	REMARKS
D	1350mm X 2100mm (H)	COLL. GATE	W1	1800mm X 1200mm (H)	STEEL FULLY GLAZED
D1	1050mm X 2100mm (H)	WOODEN	W2	1500mm X 1200mm (H)	-DO-
D2	1000mm X 2100mm (H)	FLASH	W3	1200mm X 1200mm (H)	-DO-
D3	900mm X 2100mm (H)	FLASH	W4	900mm X 1050mm (H)	-DO-
D3	750mm X 2100mm (H)	PVC	W5	750mm X 1200mm (H)	-DO-
			W6	600mm X 1200mm (H)	-DO-
			W6	450mm X 750mm (H)	-DO-

- DEPTH OF THE SEPTIC TANK AND SEMI UNDER GROUND WATER RESERVOIR WILL NOT EXCEED THE DEPTH OF THE BUILDING FOUNDATION AND
- NECESSARY PRECAUTION WILL BE TAKEN AT THE TIME OF CONSTRUCTION OF BUILDING ALONG WITH CONSTRUCTION OF SEPTIC TANK AND S.U.G.W.R & DEMOLITION OF EXISTING STRUCTURE & ADJOINING STRUCTURE.

NOTES: 1. ALL DIMENSIONS ARE IN MM. 2. ALL SCALES ARE 1:100 UNLESS OTHERWISE STATED. 3. ALL SORTS OF PRECAUTION WILL BE TAKEN AT THE TIME OF CONSTRUCTION OF SEPTIC TANK AND S.U.G.R. SPECIFICATIONS: 1. EXTERNAL WALLS ARE 200 MM AND INTERNAL WALL WALLS 75 MM THICK WITH CEMENT MORTAR 1:6 AND 1:4 RESPECTIVELY. 2. THICKNESS LIME TERRACING (2:7), R.C.C. SLAB (1:1.5:3) AND P.C.C. ARE 100MM. 3. GRADES OF STEEL IS Fe-415, AND GRADE OF CONCRETE IS M-20. 4. ALL MATERIAL AND CONSTRUCTION SHOULD BE AS PER I.S. CODE. 5. ALL R.C.C. WORK FOR STRUCTURE MEMBER LIKE FOOTING, SLAB, COLUMN, BEAM, LINTEL, CHAJJAH ETC. SHALL BE CARRIED OUT WITH (1:2:4) PROPORTION. 6. 450 MM PROJECTED CHAJJAH. 7. 16 MM DIA STONE CHIPS WILL BE USED IN FOUNDATION LINTEL, CHAJJAH, ETC.

CERTIFICATE FROM GEO-TECH ENGINEER :- UNDER SIGNED HAS INSPECTED THE SITE AND CARRIED OUT SOIL INVESTIGATION THEREON. IT CERTIFIED THAT THE EXISTING SOIL OF THE SITE IS ABLE TO CARRY THE LOAD COMING FROM THE PROPOSED CONSTRUCTION AND THE FOUNDATION SYSTEM PROPOSED HEREIN IS SAFE AND STABLE IN ALL RESPECTS FROM GEO-TECHNICAL POINT OF VIEW. (GEO-TECH NO.- 16, CLASS-II)

CERTIFICATE FROM STRUCTURAL ENGINEER :- THE STRUCTURAL DESIGN & DRAWING OF BOTH FOUNDATION AND SUPERSTRUCTURE OF THE BUILDING HAS BEEN MADE BY ME CONSIDERING ALL POSSIBLE LOADS INCLUDING SEISMIC LOAD AS PER NATIONAL BUILDING CODE OF INDIA AND CERTIFIED THAT IT IS SAFE AND STABLE IN ALL RESPECTS. (E.S.E. NO. - 597 / CLASS-II)

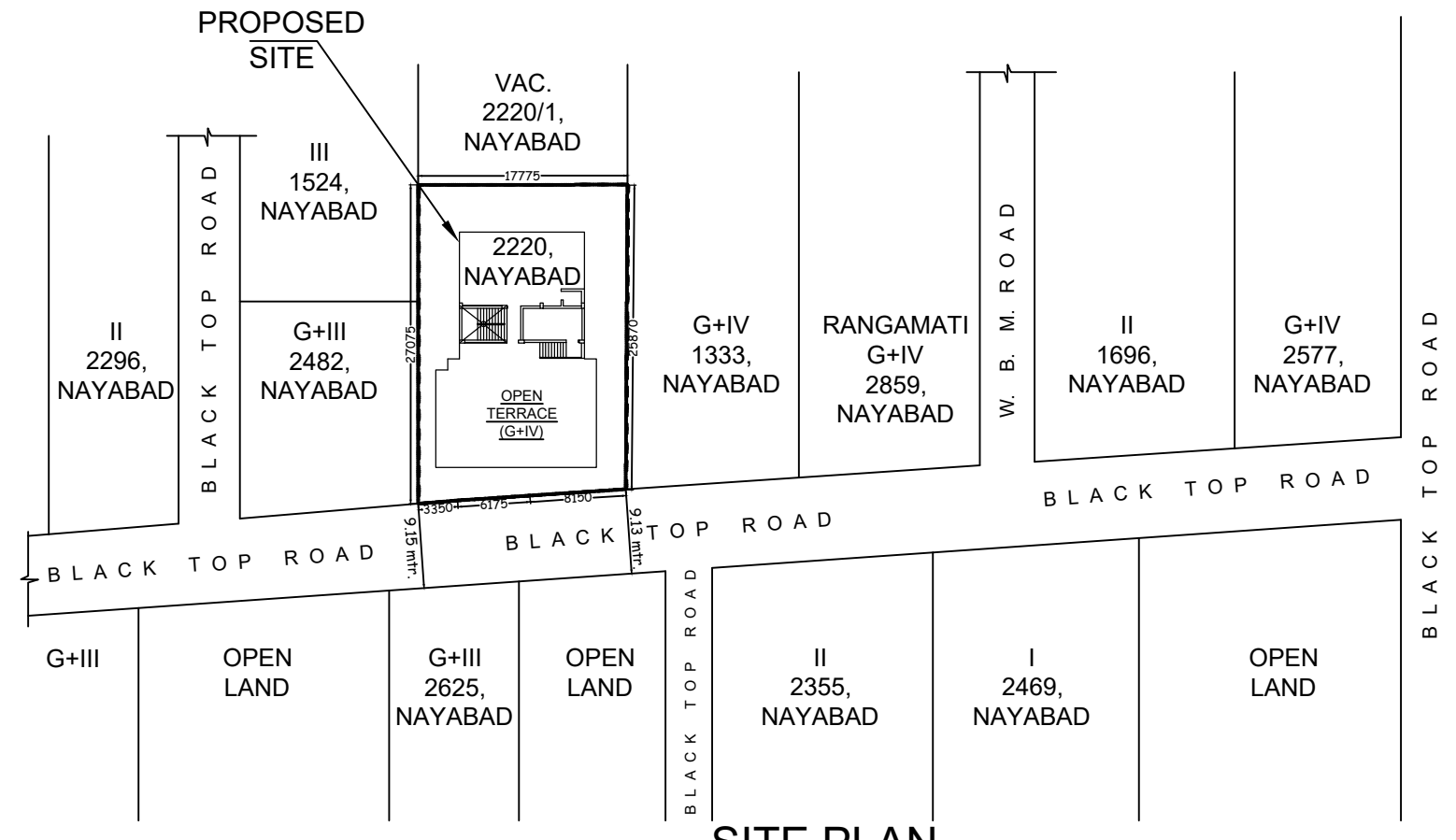
CERTIFICATE FROM L.B.S. WITH FULL RESPONSIBILITY :- CERTIFIED WITH FULL RESPONSIBILITY THAT THE BUILDING PLAN HAS BEEN DRAWN UP AS PER PROVISION OF KMC BUILDING RULES 2009 AS AMENDED TIME TO TIME & THAT THE SITE CONDITION INCLUDING THE ADJOINING ROAD CONFORMS WITH THE PLAN, WHICH HAS BEEN MEASURED AND VERIFIED BY ME. IT IS A BUILDABLE SITE AND NOT A TANK OR FILLED UP TANK. THE LAND IS DEMARKED BY BOUNDARY WALL. THE LOT IS BEYOND 500MT. FROM C/O. OF E.M.BYPASS. THE CONSTRUCTION OF U.G.WATER TANK AND SEPTIC TANK WILL BE COMPLETED BEFORE STARTING OF BUILDING FOUNDATION WORK. (L.B.S. NO. - 1386 / CLASS-I)

I DO HEREBY DECLARE WITH FULL RESPONSIBILITY THAT I SHALL ENGAGE L.B.S. & E.S.E. DURING CONSTRUCTION. I SHALL FOLLOW THE INSTRUCTION OF L.B.S. & E.S.E. DURING CONSTRUCTION OF THE BUILDING (AS PER B.S.PLAN). KMC AUTHORITY WILL NOT BE RESPONSIBLE FOR STRUCTURAL STABILITY OF THE BUILDING OR ADJOINING STRUCTURES. IF ANY SUBMITTED DOCUMENTS ARE FOUND TO BE FAKE THE KMC AUTHORITY WILL REVOKE THE SANCTION PLAN. THE CONSTRUCTION OF WATER RESERVOIR & SEPTIC TANK WILL BE UNDERTAKEN UNDER THE GUIDANCE OF E.S.E. & L.B.S. BEFORE STARTING OF BUILDING FOUNDATION WORK. DURING DEPARTMENTAL INSPECTION THE SITE WAS IDENTIFIED BY ME. NAME OF OWNER / APPLICANT

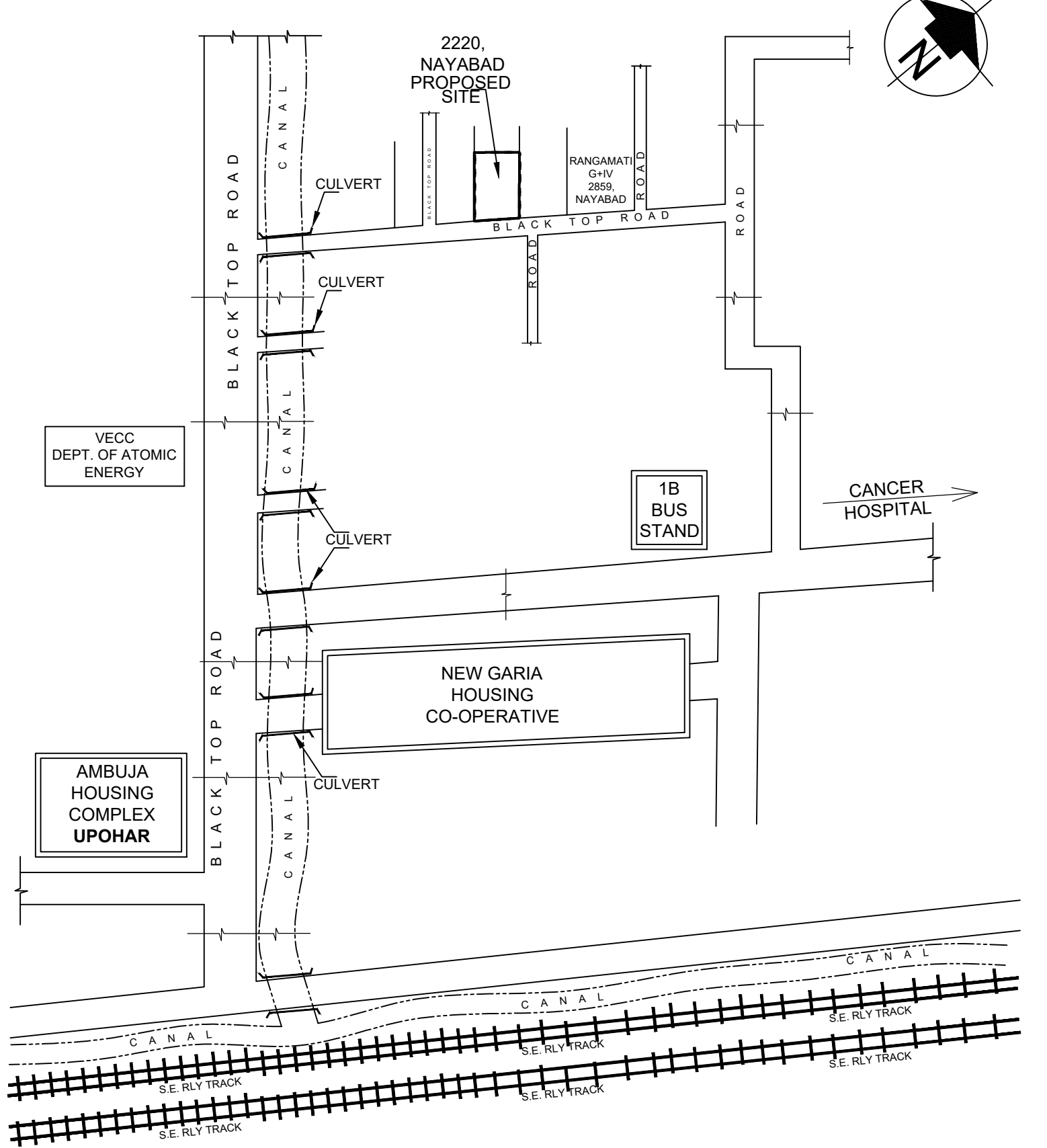
SHEET 1 of 2
 PLAN FOR PROPOSED G+FOUR STORED RESIDENTIAL BUILDING (U/S 393 A OF K.M.C. Act. 1980 & COMPLYING K.M.C. BUILDING RULE 2009) AT K.M.C. PREMISES NO. 2220, NAYABAD WARD-109, BOROUGH-XII UNDER K.M.C., P.S. - PURBA JADAVPUR, KOLKATA - 700 094 (MOUZA-NAYABAD, J.L.-25, R.S.DAG.NO-90, R.S. KHATAN.NO.104 & 147/1)

B.P.NO : 2021120254 DATE : 22-NOV-21
 VALID UPTO : 21-NOV-26

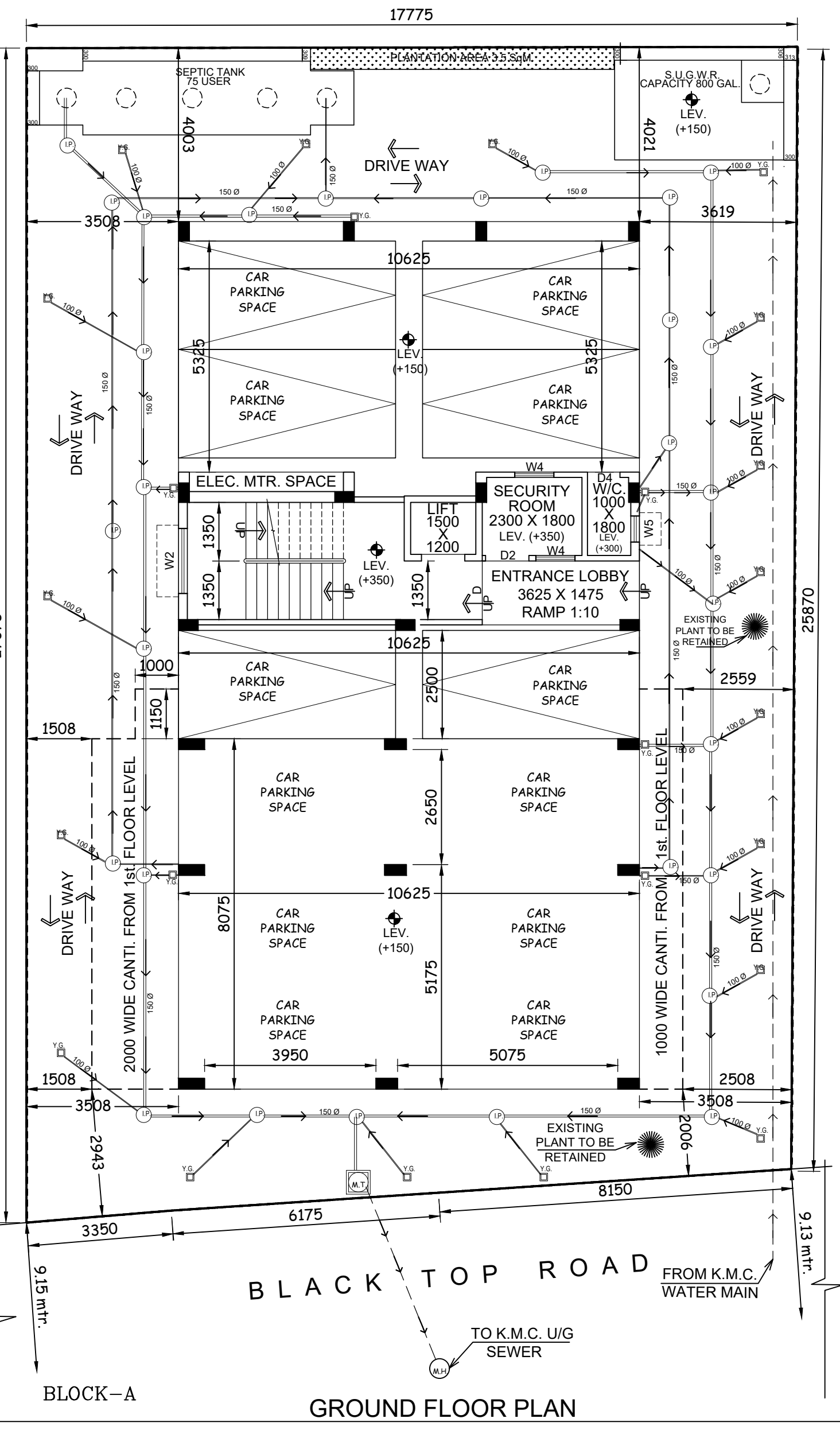
DIGITAL SIGNATURE OF SANCTIONING AUTHORITY
 DIGITAL SIGNATURE OF ASSISTANT ENGINEER (C) K.M.C., BOROUGH - XII
 DIGITAL SIGNATURE OF EXECUTIVE ENGINEER (B.D.G.) K.M.C., BOROUGH - XII



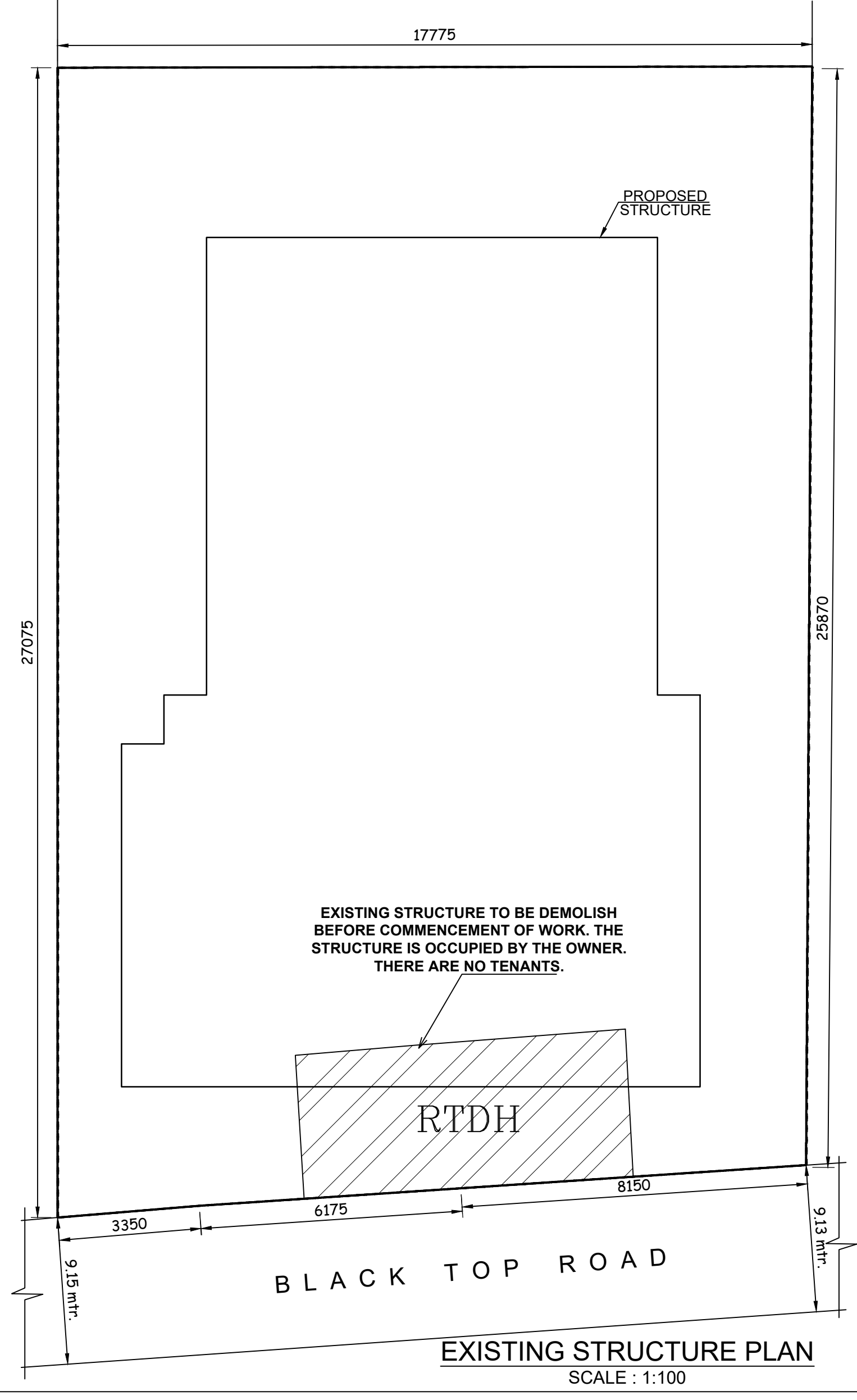
SITE PLAN
SCALE : 1:600



KEY PLAN
SCALE : 1:4000



GROUND FLOOR PLAN



EXISTING STRUCTURE PLAN
SCALE : 1:100